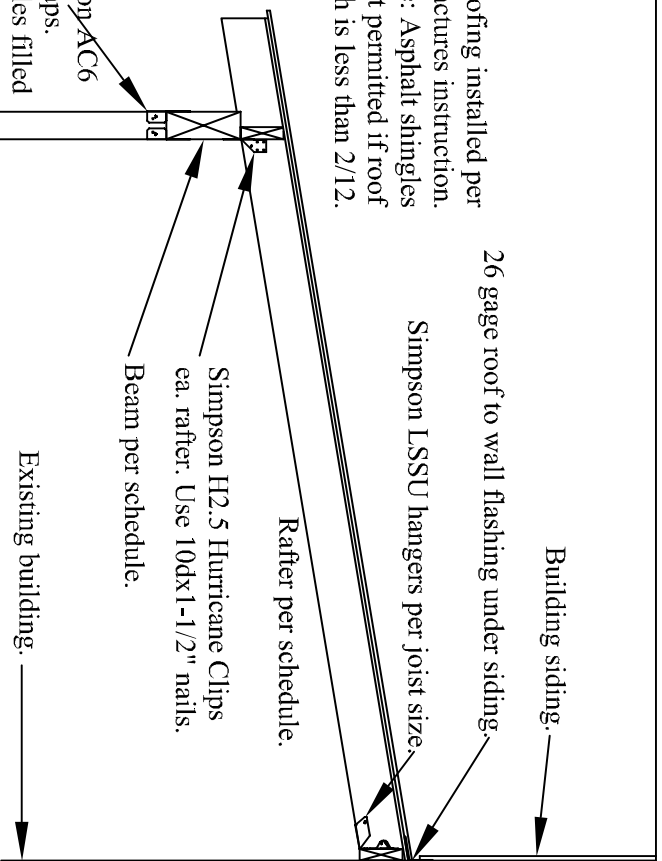


Roofing installed per manufacturer's instruction.
 Note: Asphalt shingles are not permitted if roof pitch is less than 2/12.

Simpson ACC6 post caps.
 All holes filled with 16d galvanized nails.

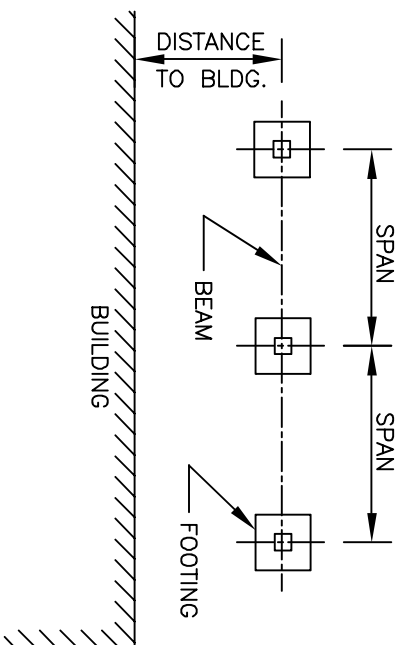


18"x48" post hole backfilled with concrete.
 Place one sack of sackcrete in bottom prior to setting post.

SIZE	SPACING	SPAN
2x4	12"	9'-8"
2x4	16"	8'-5"
2x4	24"	6'-10"
2x6	12"	14'-2"
2x6	16"	12'-3"
2x6	24"	10'-0"
2x8	12"	17'-11"
2x8	16"	15'-6"
2x8	24"	12'-8"
2x10	16"	18'-11"
2x10	24"	15'-6"

RAFTERS

2x ledger lagged to building framing with 2 7/16"x6" lags @ 24 o.c. max.



NOTE: SPANS BASED ON HEM-FIR #2.

SPAN	DISTANCE TO BUILDING			
	0-10'	10-16'	16-20'	20-24'
5'-0"	4x4	4x6	4x8	4x8
6'-0"	4x6	4x6	4x8	4x10
7'-0"	4x6	4x8	4x10	4x10
8'-0"	4x6	4x10	4x10	4x12
9'-0"	4x8	4x10	4x12	N/A
10'-0"	4x8	4x10	4x12	N/A

BEAMS

STANDARD CARPORT OR PATIO
 DETAIL

CITY OF ABERDEEN

CITY ENGINEER'S OFFICE

SCALE	DATE	DR BY	JOB NO	DWG NO
NONE	9/23/03	MDA	STDS	B16A